



P-1037-SS

- 14" round stainless steel contoured seat
- Rubber floor tips
- Height adjustment (screw shaft) of 20¹/₈" to 32³/₈"

P-1037-W/C-SS

- 3" **co-re casters**[™]
- Height adjustment (screw shaft) of 22¹/₂" to 34⁵/₈"

seating

stainless steel series

features

- weight capacity rating of 300 lbs.
- Available in Classic

upholstery

- classic ●
- royal ●

dual wheel locking casters option

- 66 Locking Casters (activated upon standing)
- 01-B Adaptor (required for 66)



● P-1038-SS ● T-1038-SS

- 14" round cushioned seat
- Rubber floor tips
- Height adjustment (screw shaft) of 22" to 34¹/₂"

● P-1038-W/C ● T-1038-W/C

- 3" **co-re casters**[™]
- Height adjustment (screw shaft) of 24¹/₄" to 36³/₄"



● P-1039-SS ● T-1039-SS

- 14" round cushioned seat
- Upholstered spring back
- Rubber floor tips
- Height adjustment (screw shaft) of 22³/₄" to 34¹/₂"

● P-1039-W/C ● T-1039-W/C

- 3" **co-re casters**[™]
- Height adjustment (screw shaft) of 25" to 36³/₄"



● P-1040-SS ● T-1040-SS

- 14" x 15" cushioned square seat
- Upholstered spring back
- 3" **co-re casters**[™]
- Height adjustment (screw shaft) of 26" to 37¹/₂"



- **P-36** ● **T-36**
- 14" round cushioned seat
- 3" **co•re casters™**
- Height adjustment (screw shaft) of 17⁷/₈" to 26¹/₄"



- **P-38** ● **T-38**
- 14" round cushioned seat
- Rubber floor tips
- Height adjustment (screw shaft) of 22" to 34¹/₂"

- **P-38-W/C** ● **T-38-W/C**
- 3" **co•re casters™**
- Height adjustment (screw shaft) of 24¹/₄" to 36³/₄"



- **P-39** ● **T-39**
- 14" round cushioned seat
- Rubber floor tips
- Upholstered spring back
- Height adjustment (screw shaft) of 22³/₄" to 34¹/₂"

- **P-39-W/C** ● **T-39-W/C**
- 3" **co•re casters™**
- Height adjustment (screw shaft) of 24¹/₄" to 36³/₄"



new!
**co•re
caster™**

- **P-51** ● **T-51**
- 14" x 15" square cushioned seat
- Upholstered spring back
- 3" **co•re casters™**
- Height adjustment (screw shaft) of 18⁵/₈" to 26¹/₄"



new!
**co•re
caster™**

- **P-51-R** ● **T-51-R**
- 14" round cushioned seat
- Upholstered spring back
- 3" **co•re casters™**
- Height adjustment (screw shaft) of 18⁵/₈" to 26¹/₄"



- **P-55** ● **T-55**
- Lab stool
- 14" x 15" square cushioned seat
- Upholstered spring back
- Plastic floor glide
- Height adjustment (screw shaft) of 21⁵/₈" to 33⁵/₈"

seating

powder-coat series

features

- weight capacity rating of 300 lbs.

upholstery

- classic ●
- royal ●

dual wheel locking casters option

- 66 Locking Casters (activated upon standing)
- 01-B Adaptor (required for 66)



• **P-527-GS** • **T-527-GS**

- 14½" round fully padded seat
- 23½" diameter aluminum base
- 2" dual wheel casters
- Adjustable backrest
- Height adjustment of 19¼" to 24½" (pneumatic)



• **P-528-GS** • **T-528-GS**

- 14½" round fully padded seat
- 23½" diameter aluminum base
- 2" dual wheel casters
- Height adjustment of 19¼" to 24½" (pneumatic)

seating

foot-operated

features

- weight capacity rating of 300 lbs.

upholstery

- classic ●
- royal ●

locking casters option

- 66 Locking Casters (activated upon standing)
- 66-A Locking Casters (activated upon sitting)

seating

five series



• **P-521-GS**
• **T-521-GS**

- 14½" round fully padded seat with back
- 23½" diameter aluminum base
- 2" dual wheel casters
- Height adjustment (pneumatic) of 19¼" to 23¾"
- Adjustable backrest



• **P-526-GS**
• **T-526-GS**

- 14½" round fully padded seat
- 23½" diameter aluminum base
- 2" dual wheel casters
- Height adjustment (pneumatic) of 19¼" to 23¾"



• **P-536**
• **T-536**

- 14" round cushioned seat
- 21½" diameter chrome base
- 3" **co-re casters™**
- Height adjustment (screw shaft) of 17¾" to 26⅛"

* locking casters option not available

features

- weight capacity rating of 300 lbs.

upholstery

- classic ●
- royal ●

dual wheel locking casters option

- 66 Locking Casters (activated upon standing)
- 66-A Locking Casters (activated upon sitting)



• **P-536-GS** • **T-536-GS**

- 14" cushioned seat
- 21½" diameter chrome base
- 3" **co-re casters™**
- Height adjustment (pneumatic) of 18¾" to 23½"



• **P-551** • **T-551**

- 16" x 17" cushioned seat
- 21½" diameter chrome base
- Adjustable back support
- 3" **co-re casters™**
- Height adjustment (screw shaft) 20⅝" to 29"
- Adjustable backrest

* locking casters option not available



• **P-551-GS** • **T-551-GS**

- 16" x 17" cushioned seat
- 21½" diameter chrome base
- Adjustable back support
- 3" **co-re casters™**
- Height adjustment (pneumatic) of 19¼" to 24" height
- Adjustable backrest

* locking casters option not available



• **P-555-GS** • **T-555-GS**

- 16" x 17" cushioned seat
- 21½" diameter chrome base
- Adjustable back support
- 3" **co-re casters™**
- Height adjustment (pneumatic) of 25⅝" to 33"
- Adjustable backrest

* locking casters option not available



● **T-580**

- 18" x 19" contoured cushioned seat
- Height adjustment (pneumatic) of 17½" to 23¼"
- Easy rolling 2" dual wheel casters
- 25" diameter footprint
- Adjustable backrest
- Adjustable arm rests



● **T-581**

- 18" x 19" contoured cushioned seat
- Height adjustment (pneumatic) of 17½" to 23¼"
- Easy rolling 2" dual wheel casters
- 25" diameter footprint
- Adjustable backrest



● **T-582**

- 18" x 19" contoured cushioned seat
- Height adjustment (pneumatic) of 17½" to 23¼"
- Easy rolling 2" dual wheel casters
- 23" diameter footprint (small)
- Adjustable backrest

seating

ergo task chair

features

Pedigo's ergonomically designed task chairs feature pneumatic height adjustment, dual wheel casters, 5-star base, integrated lumbar support, and independent backrest/seat pan height and tilt controls. PVC and latex free.

- weight capacity rating of 300 lbs.

upholstery

- only available in royal ●

locking casters option

- 81 Locking Casters (activated upon standing)

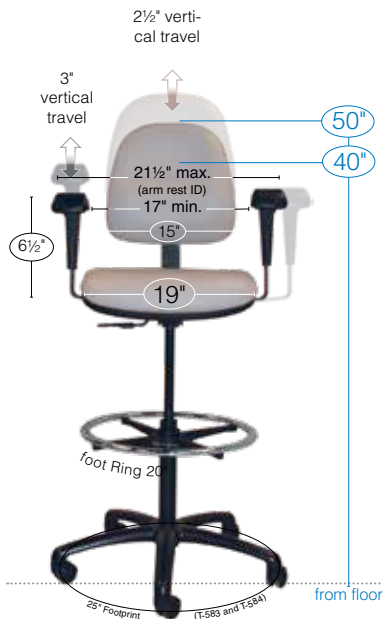


● **T-583**

- 18" x 19" contoured cushioned seat
- Height adjustment (pneumatic) of 24¼" to 34¼"
- Easy rolling 2" dual wheel casters
- 25" diameter footprint
- Adjustable backrest
- Adjustable arm rests

● **T-584**

- 18" x 19" contoured cushioned seat
- Height adjustment (pneumatic) of 23½" to 33½"
- Easy rolling 2" dual wheel casters
- 25" diameter footprint
- Adjustable backrest



specs



seating

ergo task anesthesia chair

features

Ergonomically designed anesthesia chair, Pedigo's T-583 features pneumatic height adjustment, dual wheel casters, 5-star base, integrated lumbar support and independent backrest/seat pan height tilt controls. PVC and latex free.

- weight capacity rating of 300 lbs.

upholstery

- only available in royal ●

locking casters option

- 81 Locking Casters (activated upon standing)



Locking Casters

● **P-7000**

- Specially contoured seat for added comfort
- Sensafoam body contouring seat and back
- Seat features backrest
- Height adjustable and articulating arm/wrist rests
- 21" diameter base with high grade 3" casters
- 5-caster base
- Three locking casters
- Adjustable backrest
- Height adjustment (hydraulic) of 20³/₄" to 28¹/₄" - single pedal, foot-operated

seating

hydraulic surgeon chair

features

Hydraulic Surgeon Chairs are ideal for surgery, anesthesiology, ENT and reconstructive procedures.

- weight capacity rating of 300 lbs.

upholstery

- only available in classic ●

option (P-6000)

- articulating arm rests #P-6000-D



● ● **P-6000** with Backrest

- 16" round fully padded
- Seat features backrest
- 21" diameter base
- Powder-coated 5-caster base
- High grade 3" casters
- Three locking casters
- Height adjustment (hydraulic) of 22³/₄" to 30¹/₄" - single pedal, foot-operated



● ● **P-6001** without Backrest

- 16" round fully padded
- No backrest
- 21" diameter base
- Powder-coated 5-caster base
- High grade 3" casters
- Three locking casters
- Height adjustment (hydraulic) of 22³/₄" to 30¹/₄" - single pedal, foot-operated



● ● **P-6001** with Procedure Rest

- Rotates a full 360 degrees
- Upholstered for comfort
- Special density foam provides comfort and support during long procedures
- 16" round fully padded
- Height adjustment of 24³/₈" to 29¹/₂"

Part No. P-6000-PR and P-6001



● ● **P-526** with Procedure Rest

- Rotates a full 360 degrees
- Upholstered for comfort
- Special density foam provides comfort and support during long procedures
- 14¹/₂" round fully padded seat
- Height adjustment of 16³/₄" to 23³/₄"

Part No. P-526-PR and P-526-GS

* Seat tilt not available with procedure rest

upholstery chart

Classic Durable, vinyl based fabrics, Pedigo Classic upholstery is latex-free and California TB-117 approved.
Indicates: Pedigo Classic upholstery and unit testing:

- California TB-117



Royal Environment friendly, Pedigo Royal upholstery is latex-free, PVC-free, California TB-117 approved.
Indicates: Pedigo Royal upholstery and unit testing:

- California TB-117
- California TB-117 and TB-133 approved



Above color samples are representations of upholstery materials. Actual colors may vary slightly. Material samples available upon request.

Technical Bulletins The State of California developed a number of testing standards known as Technical Bulletins for the purpose of evaluating the flammability of furniture.

- **CAL TB-117** Flammability test for the filling or padding material of furniture. Tests the flame retardance of resilient filling materials used in upholstered furniture - including the fabric.



- **CAL TB-133** A full-scale fire test of the entire unit including the frame, foam and upholstery.



- **American National Standard for Office Furnishings** This standard is intended to provide manufacturers, specifiers, and users with a common basis for evaluating the safety, durability, and structural adequacy of general-purpose office chairs. For example, load and impact testing.



- **Business & Institutional Furniture Manufacturer's Assoc.** A not-for-profit organization that advocates, informs and develops standards for the North American office and institutional furniture industry.



Care Instructions

PreFixx® is engineered so that upholstery can be cleaned again and again without showing signs of wear. With easy cleanability, and proven stain and abrasion resistance, PreFixx protective finish can reduce maintenance costs and frequent re-upholstery.

Performance: Offers state-of-the-art resistance against staining, burnishing, abrasion, scuffing and blocking.

Durability: Creates a barrier that resists stains from penetrating to the surface of the vinyl for proven, long-lasting protection. With laboratory-tested stain resistance and improved wear properties, upholstery treated with PreFixx protective finish can retain a “like-new” appearance longer.

Easy Maintenance: Enables most common stains like dirt and smudges to wipe off easily. Many difficult stains like ballpoint ink also can be cleaned with active solvents, such as nail polish remover, without damaging the PreFixx protective finish (when recommended cleaning instructions are followed).